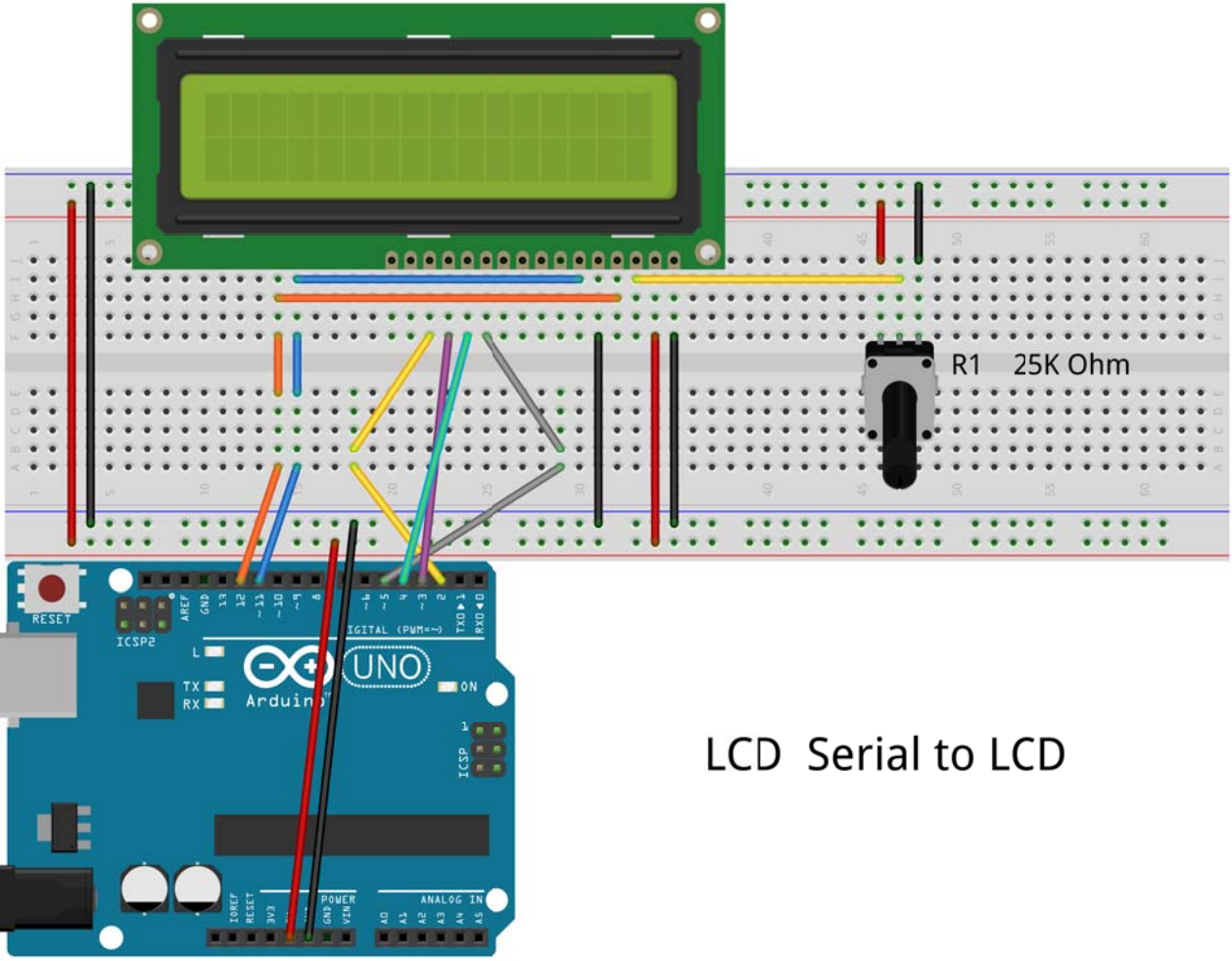


LCD
Jameco Part #618003



LCD Serial to LCD