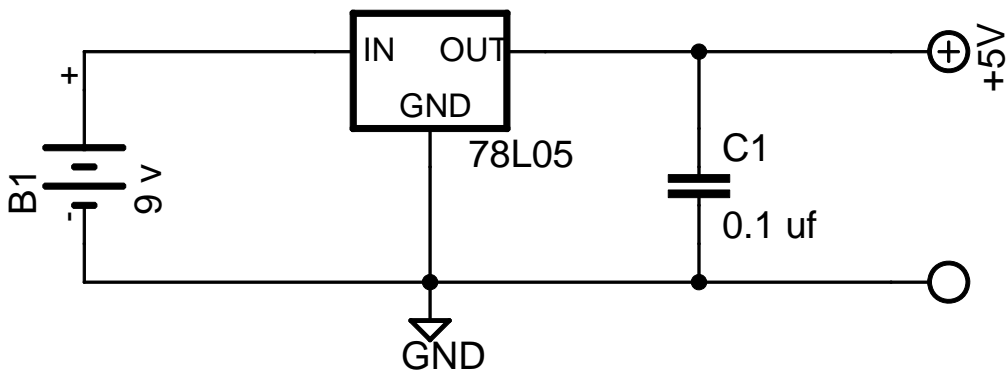


This 5 V voltage regulator circuit is used in all the circuits to supply 5 V from a 9 volt battery.



5 V Voltage Regulator