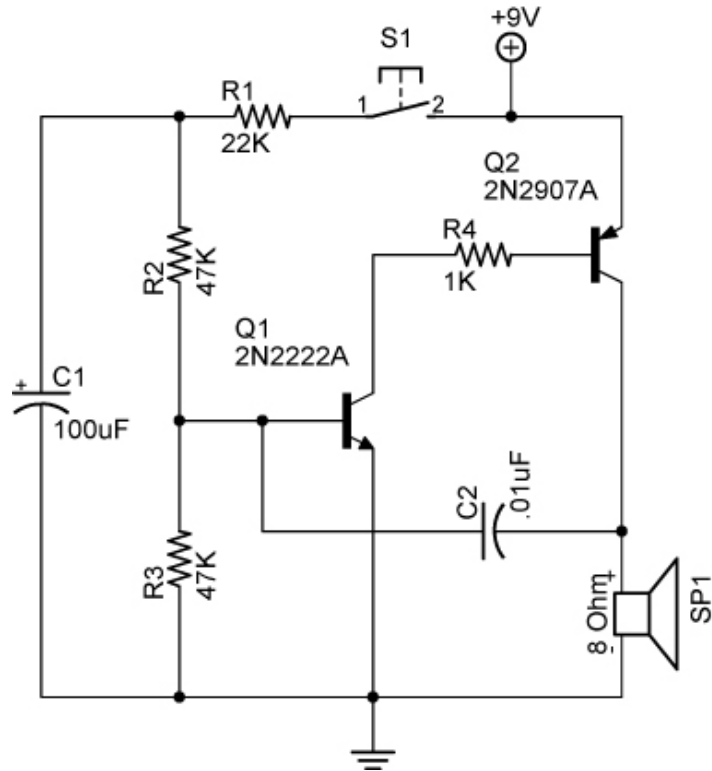


Transistor Siren 1



Explanation: Siren frequency increases when the momentary switch S1 is closed (charging the capacitor C1) and decreases when it is opened (discharging C1).