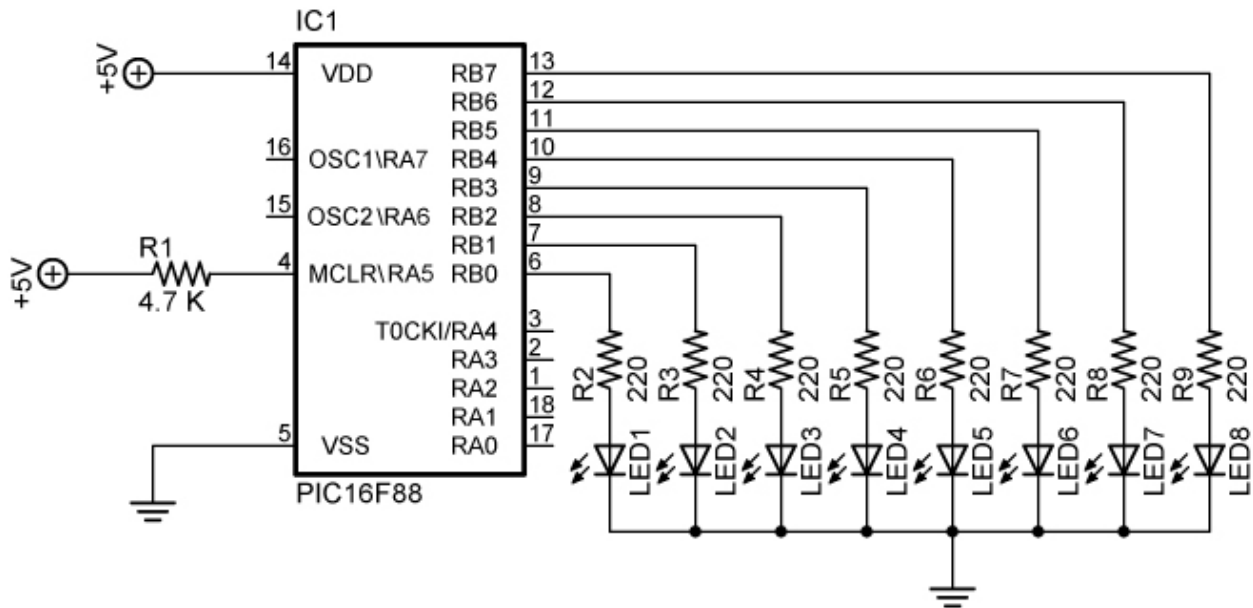


Scrolling LEDs with PIC16F88



Scrolling LEDs

Explanation: LEDs scroll from right to left then back to the right. PIC16F88 is programmed with PicBasic Pro code from:

<http://cornerstonerobotics.org/code/bounce1.pdf> or

<http://cornerstonerobotics.org/code/bounce1.pbp>

Use DIP resistor network such as Jameco part # 108556:

(http://www.jameco.com/webapp/wcs/stores/servlet/Product_10001_10001_108564_-1).

Related Lesson:

http://cornerstonerobotics.org/curriculum/lessons_year2/erii12_pic_programming2.pdf