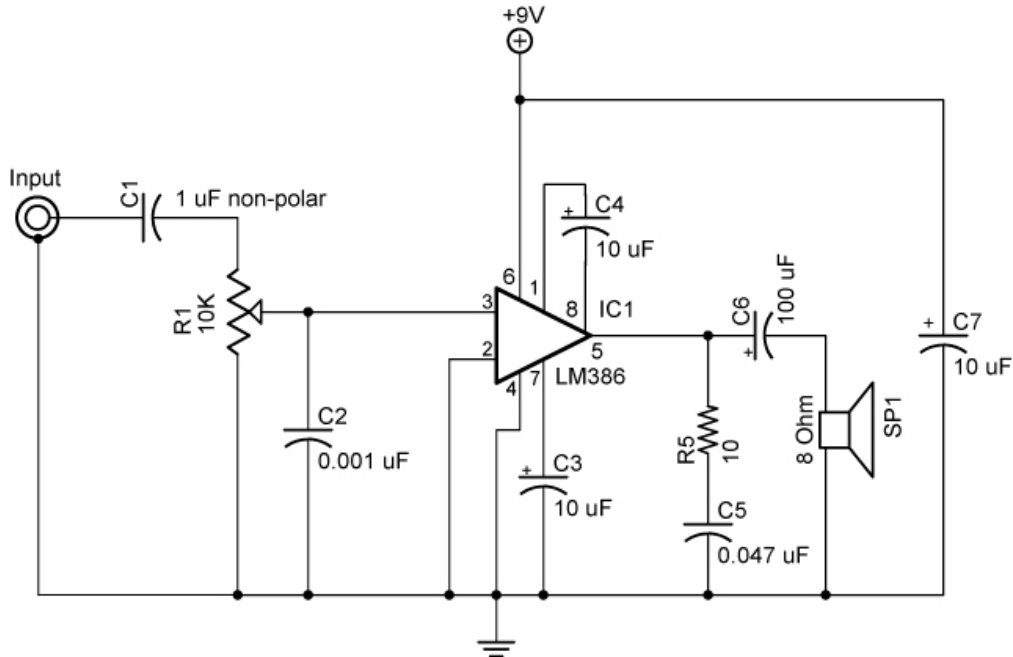
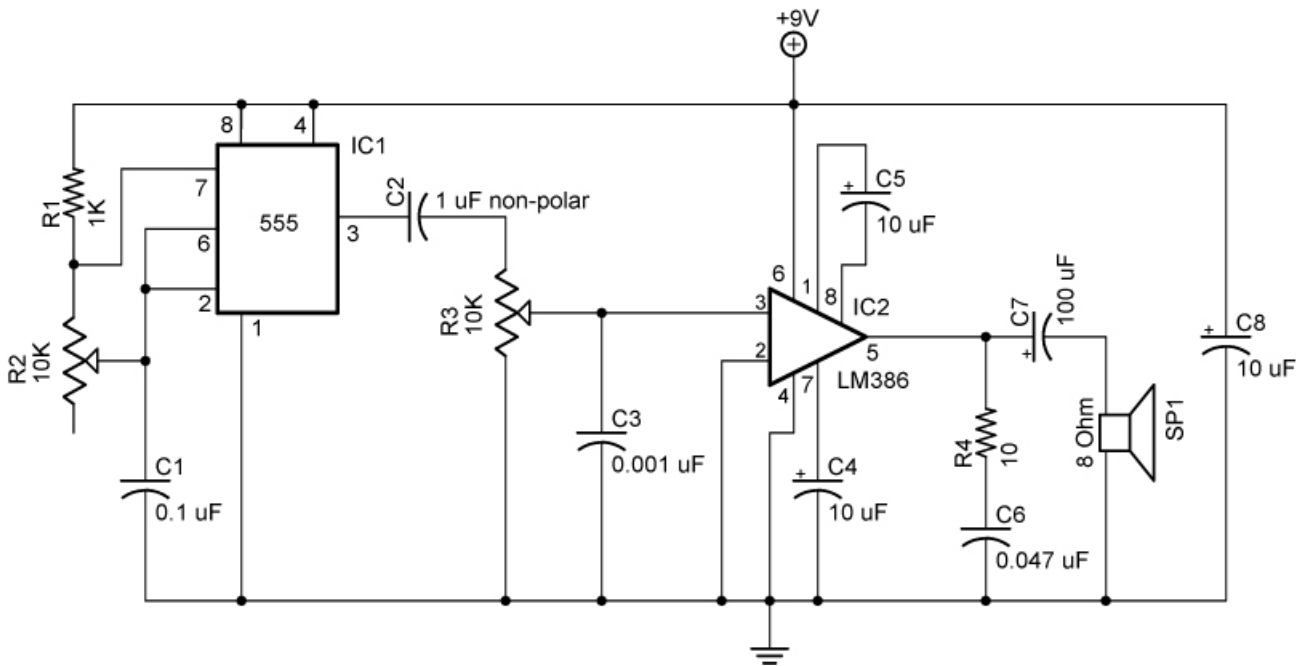


LM386 Audio Amplifier



Explanation: This amplifier shows the LM386 in a high-gain configuration (Gain = 200). For a maximum gain of only 20, leave out the 10 μ F capacitor C4 connected from pin 1 to pin 8. Maximum gains between 20 and 200 may be realized by adding a selected resistor in series with the C4. The 10k potentiometer R1 will give the amplifier a variable gain from zero up to the maximum. In the circuit below, the LM386 audio amplifier is driven by the output of a 555 timer tone generator circuit. R1 controls the pitch and R3 regulates the volume.



Reference Web Site: <http://www.techlib.com/electronics/audioamps.html#LM386>