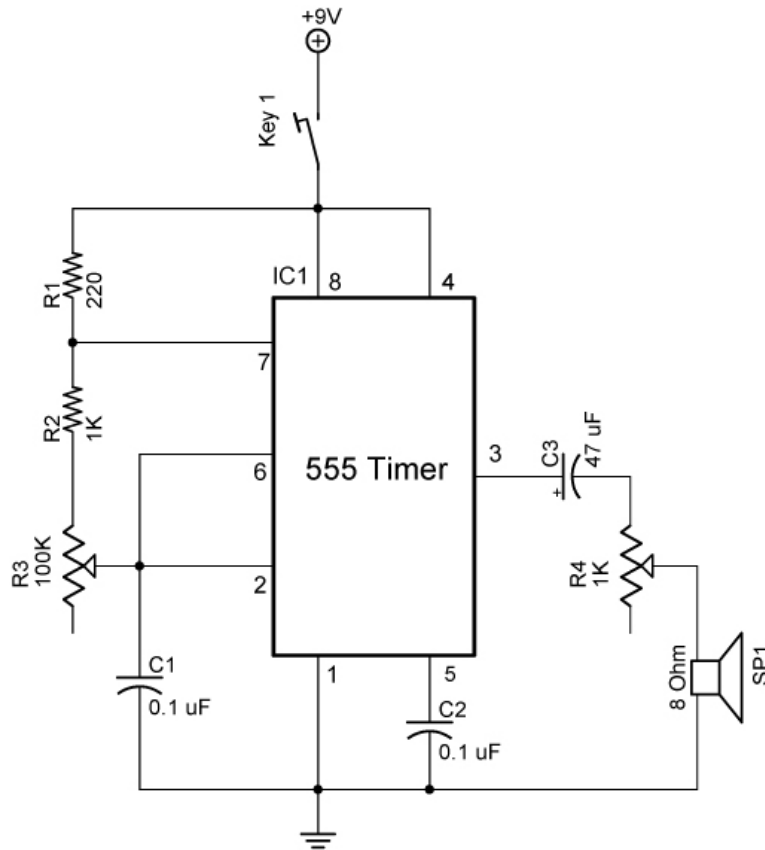


## Morse Code Practice Oscillator



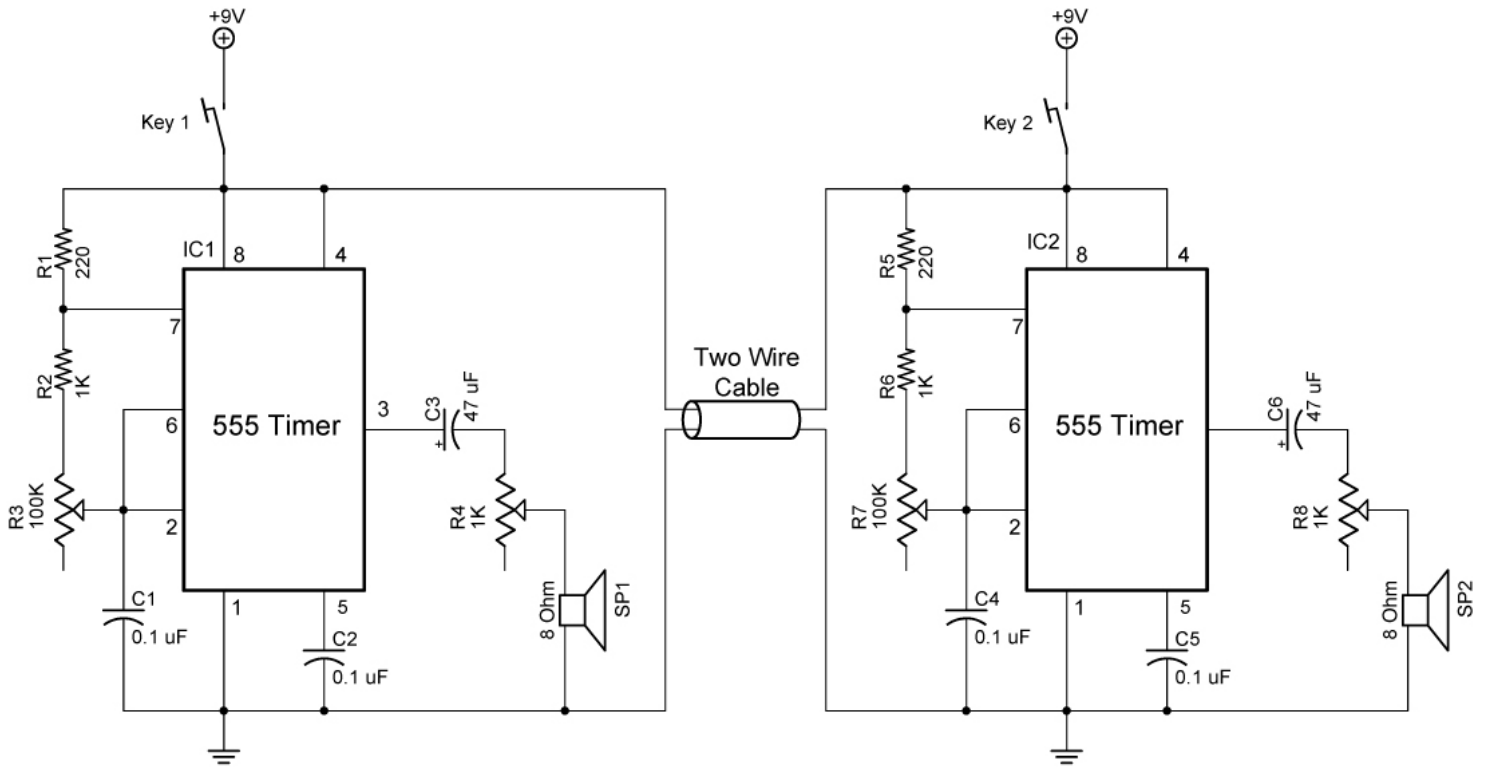
Morse Code Practice Oscillator

**Explanation:** Tones are generated by using a 555 timer in astable operation. See the lesson on 555 timer astable operation at:

[http://cornerstonerobotics.org/curriculum/lessons\\_year2/erii5\\_555\\_timer\\_astable\\_operation.pdf](http://cornerstonerobotics.org/curriculum/lessons_year2/erii5_555_timer_astable_operation.pdf). Potentiometer R3 controls the frequency of the tone and potentiometer R4 controls the volume from the speaker. Use the spring loaded momentary switch from the kit as Key 1.

Two oscillators may be linked together with a cable as shown in the schematic on the second page. **Be certain that the polarity of the two oscillators match, that is, the +9V of the first oscillator circuit connects to +9V of the second oscillator circuit and ground connects to ground.**

**Reference Web Site:** <http://home.alphalink.com.au/~parkerp/gateway/noapr98.htm>



Two-Way Morse Code Practice Set