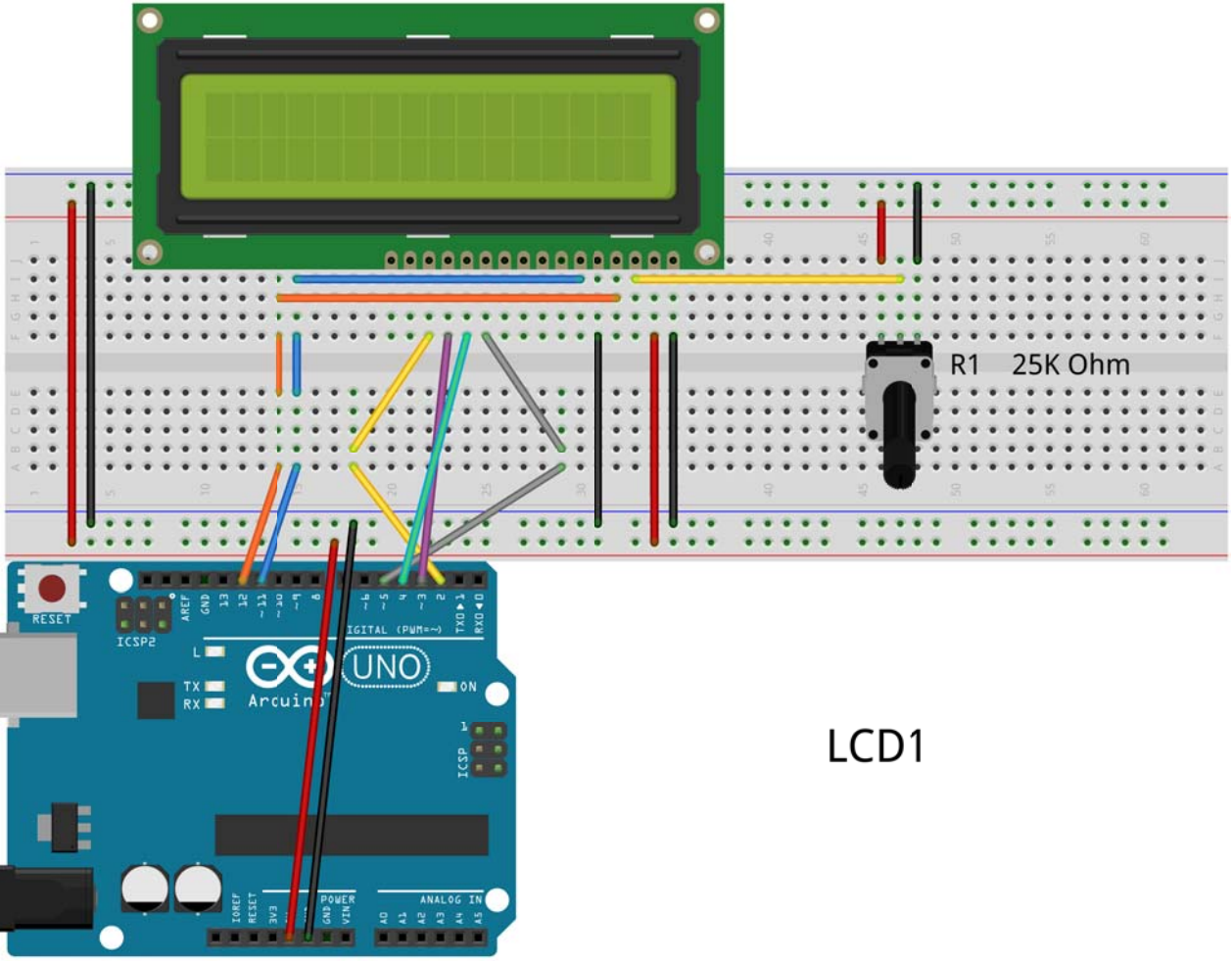


# LCD Jameco Part #618003



LCD1