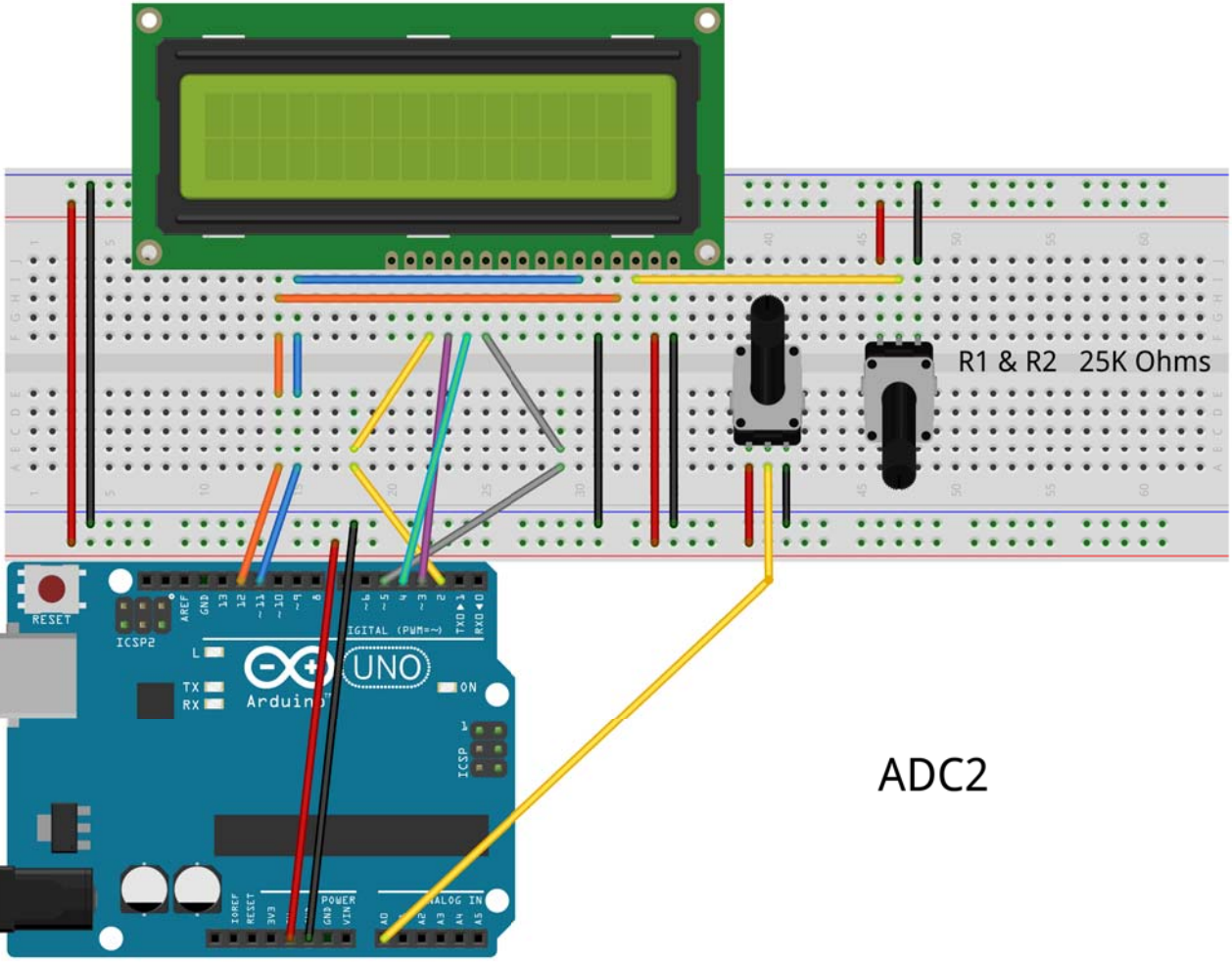


LCD  
Jameco Part #618003



ADC2